

100% metal

# Interlocking systems





**EL Lock**



**Cam Lock**

4 ranges of products



**ELC Lock**



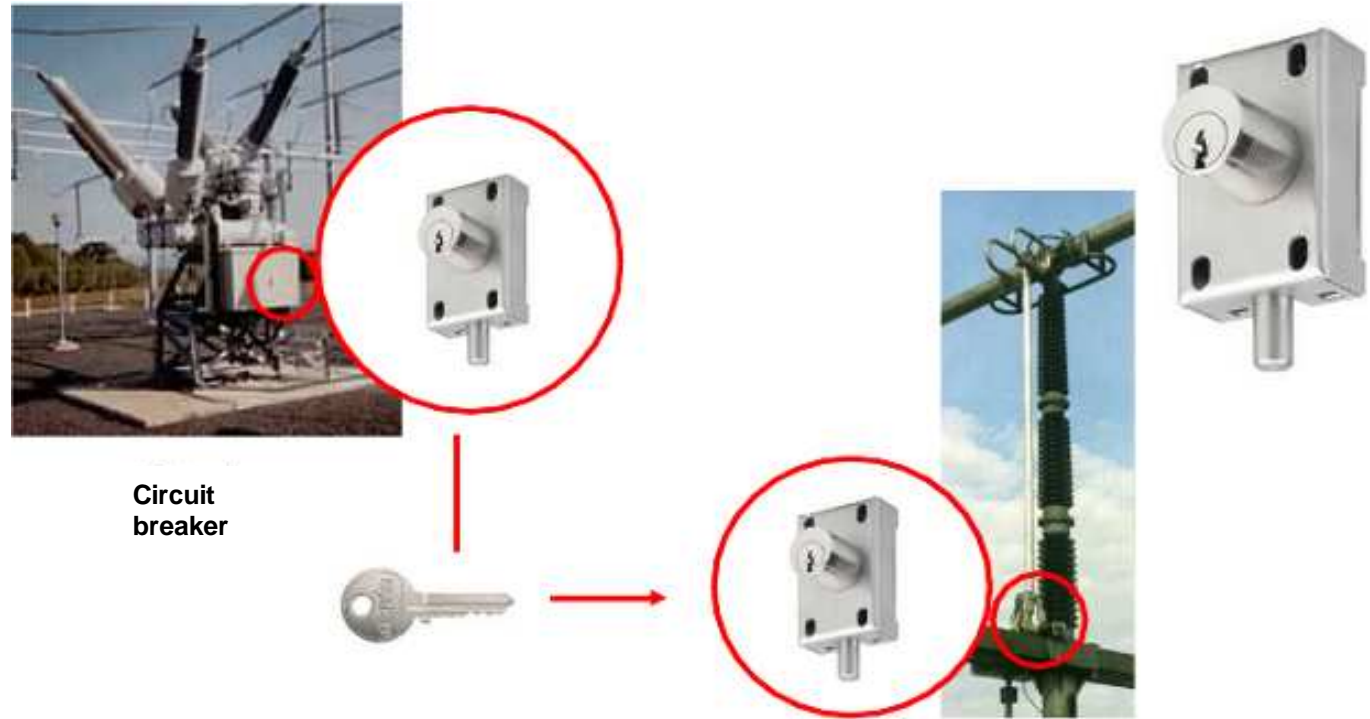
**ELP Lock**



**EL Lock**

# EL 11 Lock

## Protection of a switching equipment



Circuit  
breaker

Section  
switch

Installation on two levels (Locking of equipment on only one state)

1. The setting in safety is ensured by locking in position 'out of working' of the circuit breaker using a lock EL 11 AP.
2. The key becomes free and thus can be moved on the lock assembled on the section switch. This last equipment can then be operated and also being put 'out of working'. The key is captive in this position.

The start-up is done in the chronologically opposite order.

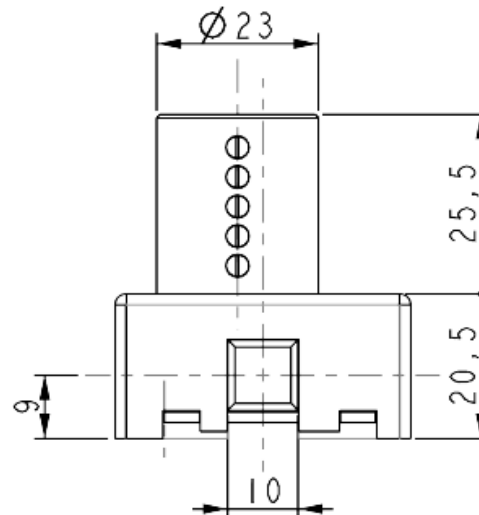
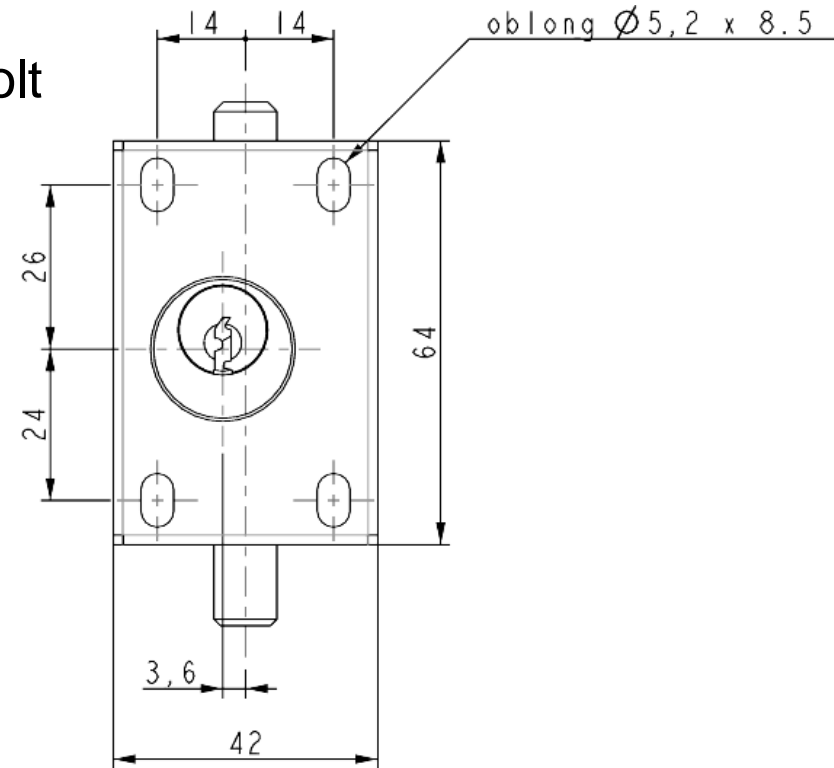
# EL 11 Lock

**EL11AP**  
Bolt lock with 1 bolt  
/ 1 key

EL 11 AP Ref **8010492501**, ½ turn Right, Profile 2

In this position bolt out L=18mm, the key is released.  
After a 180° rotation of the key, the bolt is retracted  
L=6mm and the key captive.

Option: Ref **8010492502** : Length bolt position out L : 35 mm

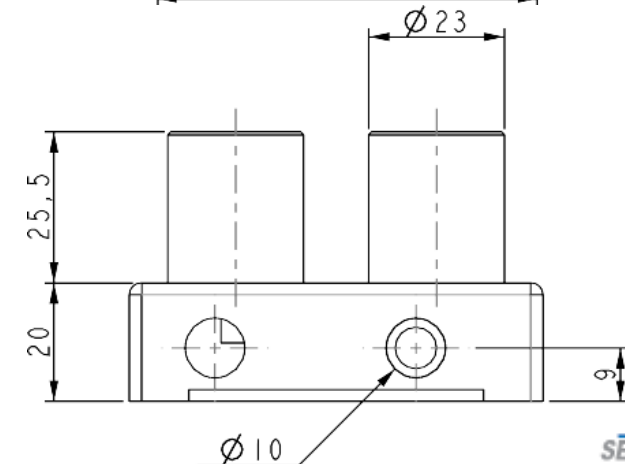
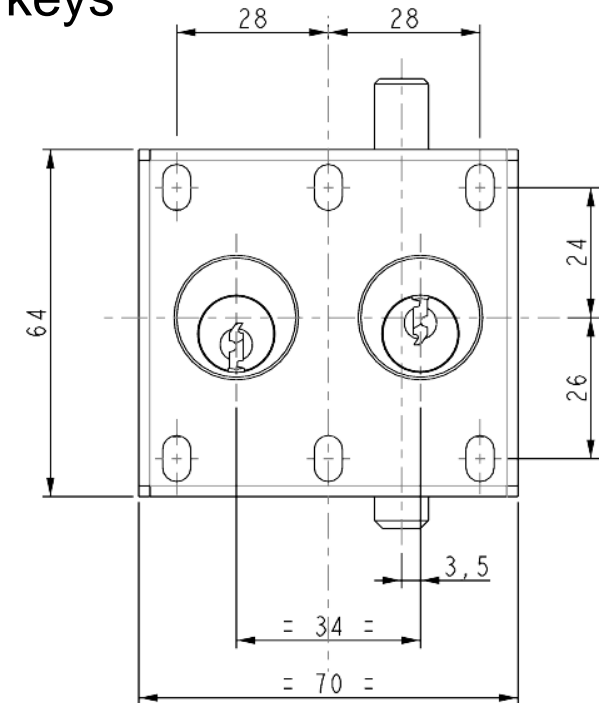
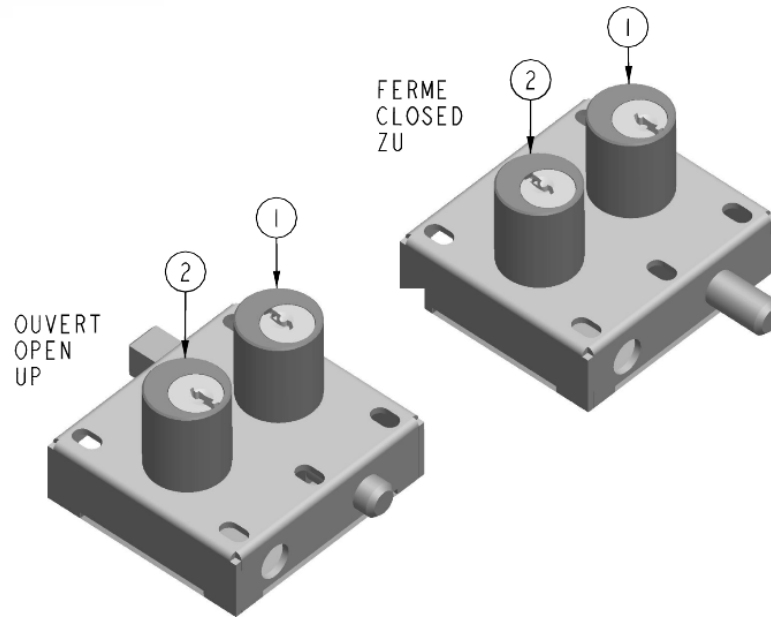


Key on request

# EL 12 Lock

## EL12AP

Bolt lock with 1 bolt / 2 keys



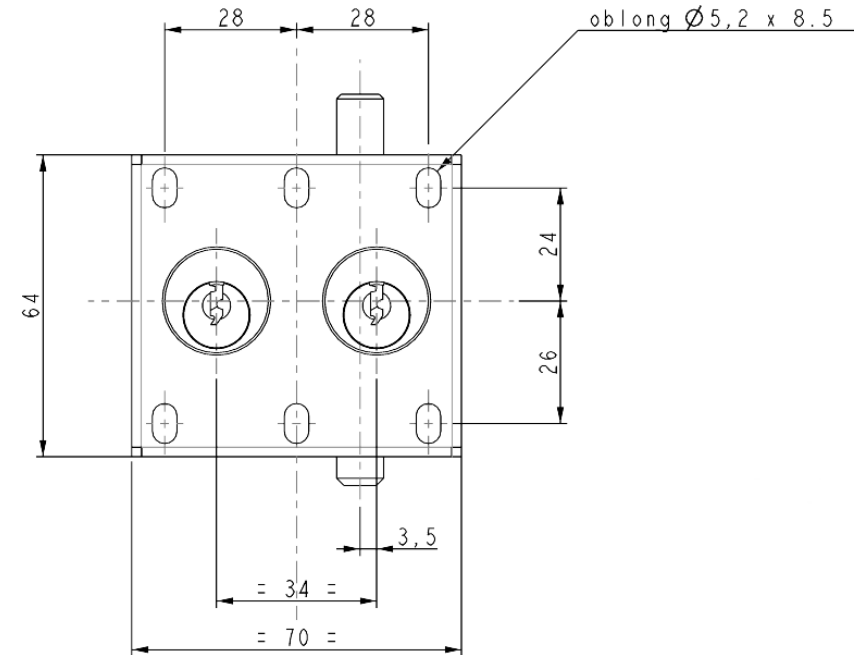
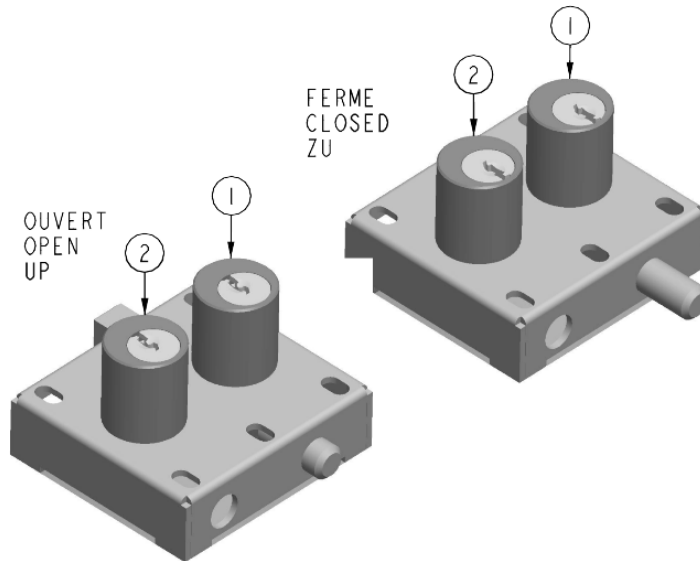
EL 12 AP Ref **8019782503**, 1/4 turn Right Droit, Profile 2  
 Bolt out : L=18mm. Key 1 released. Key 2 captive.  
 Bolt in : L=6mm. Key 1 captive. Key 2 released.

Option: Ref **8019782504**, Length bolt position out L : 35 mm

# EL 12 Lock

## EL12BP

Bolt lock with 1 lockbolt / 2 keys

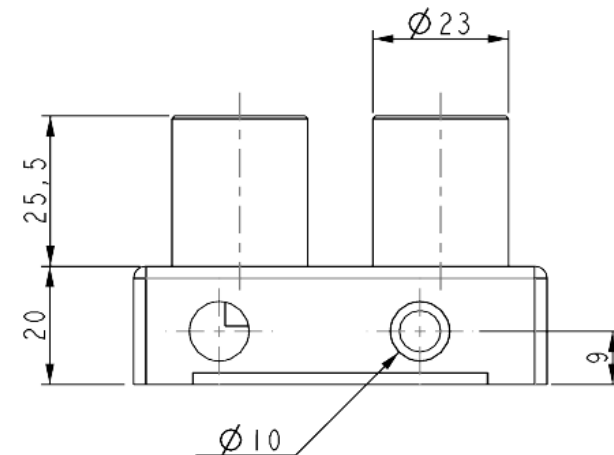


EL 12 BP Ref **8019782505** : 1/4 turn Right, Profile 2

Bolt out L : 18mm, 2 keys released

Bolt in L: 6mm, 2 keys captive

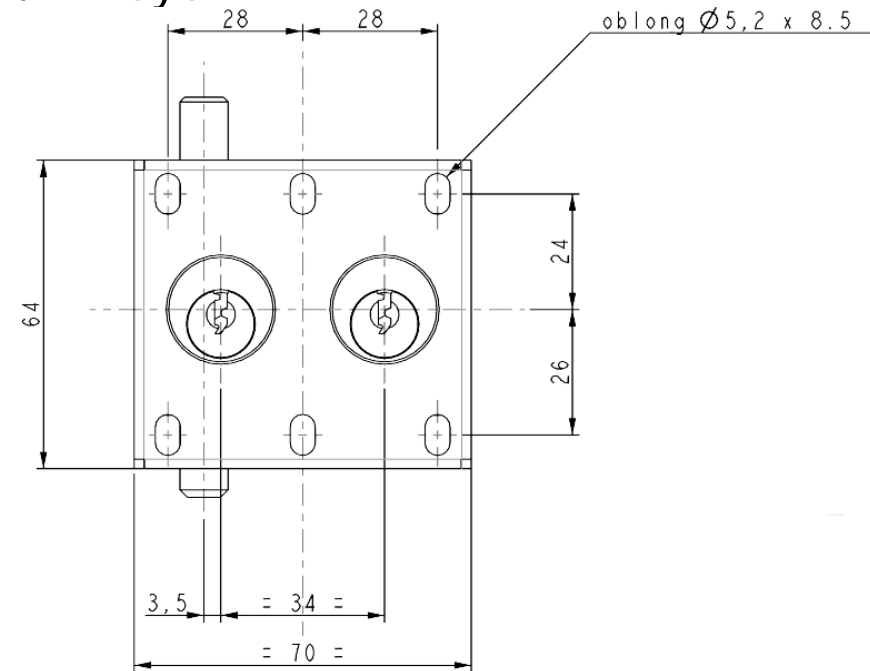
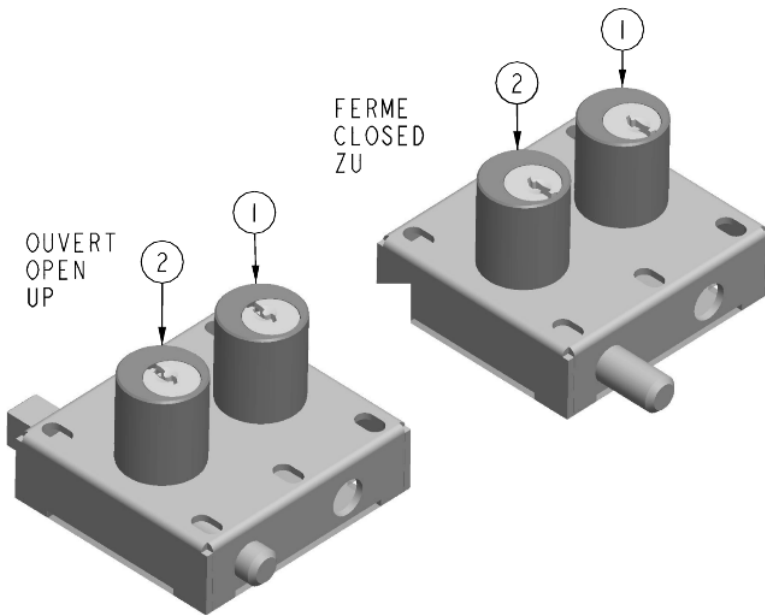
Option: Ref **8019782506**, Length bolt position out L : 35 mm



# EL 12 Lock

## EL12CP

Bolt lock with 1 bolt / 2 keys

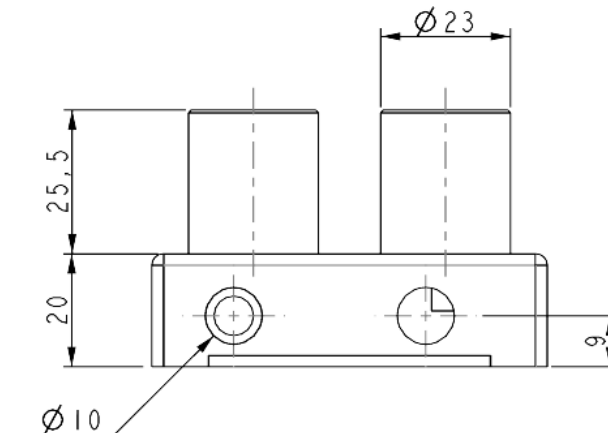


EL 12 CP, Ref **8019782513**, 1/4 turn Right, Profile 2, left bolt .

Bolt out L :18mm, 2 keys released

Bolt in L: 6mm, 2 keys captive

Option: Ref **8019782514**, Length bolt position out L : 35 mm

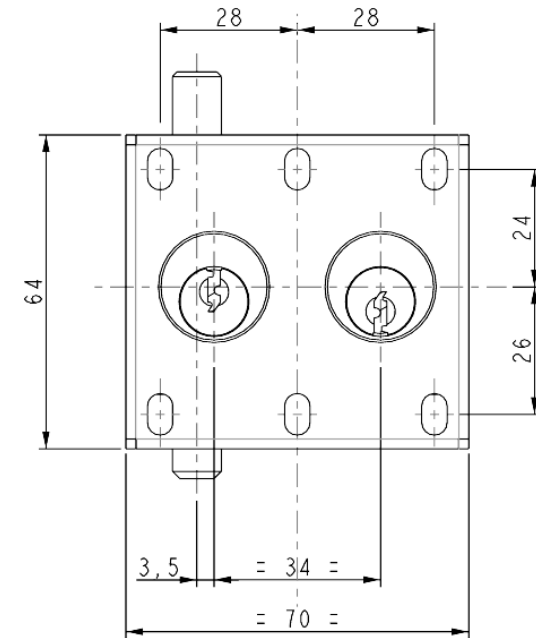
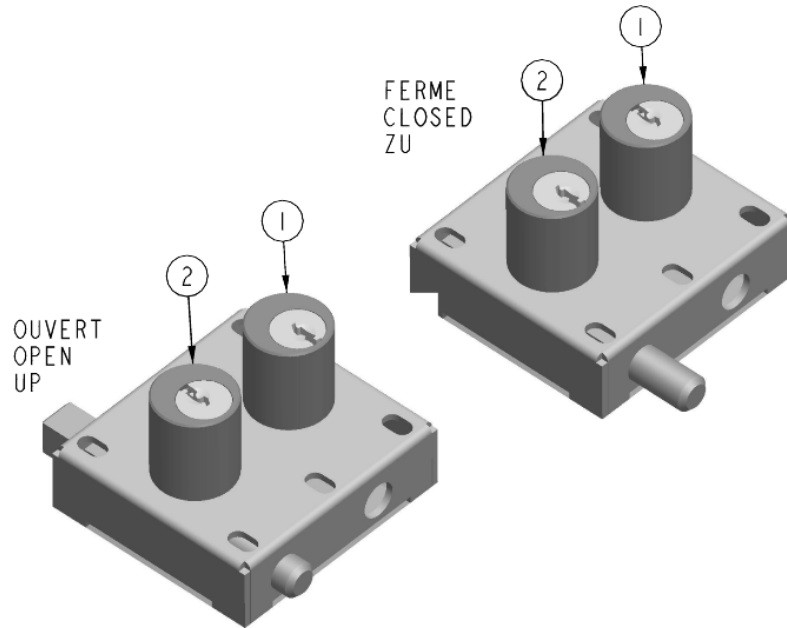




# EL 12 Lock

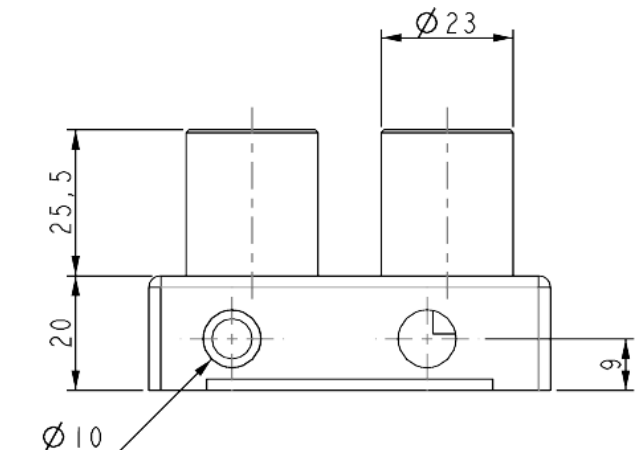
## EL12GP

Bolt lock with 1 bolt / 2 keys



EL 12 GP Ref **8019782511** : 1/4 turn Right, Profile 2, left bolt  
 Bolt out L : 18mm, key 1 captive, key 2 released  
 Bolt in L : 6 mm, key 1 released, key 2 captive

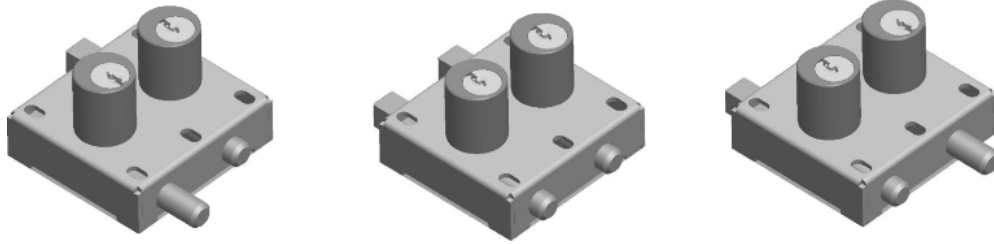
Option: Ref **8019782512**, Length bolt position out L : 35 mm



# EL 22 Lock

**EL22AP**

Bolt lock with 2 bolts / 2 keys



EL 22 AP Ref **8019782507** 1/4 turn Right, Profile 2

Bolt 1 out : L=18mm. Key 1 released.

Bolt 2 in : L=6mm. Key 2 captive.

Introduce key 1, turn 180°.

Bolt 1 in : L=6mm. Key 1 captive.

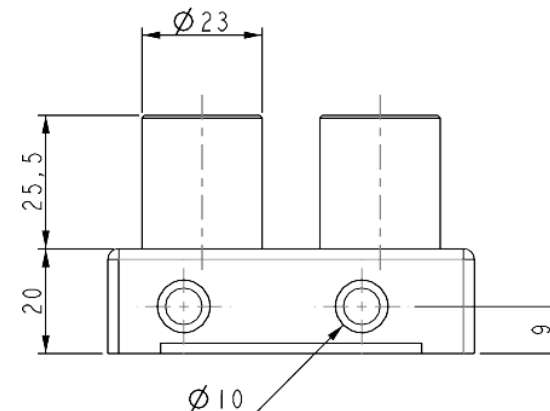
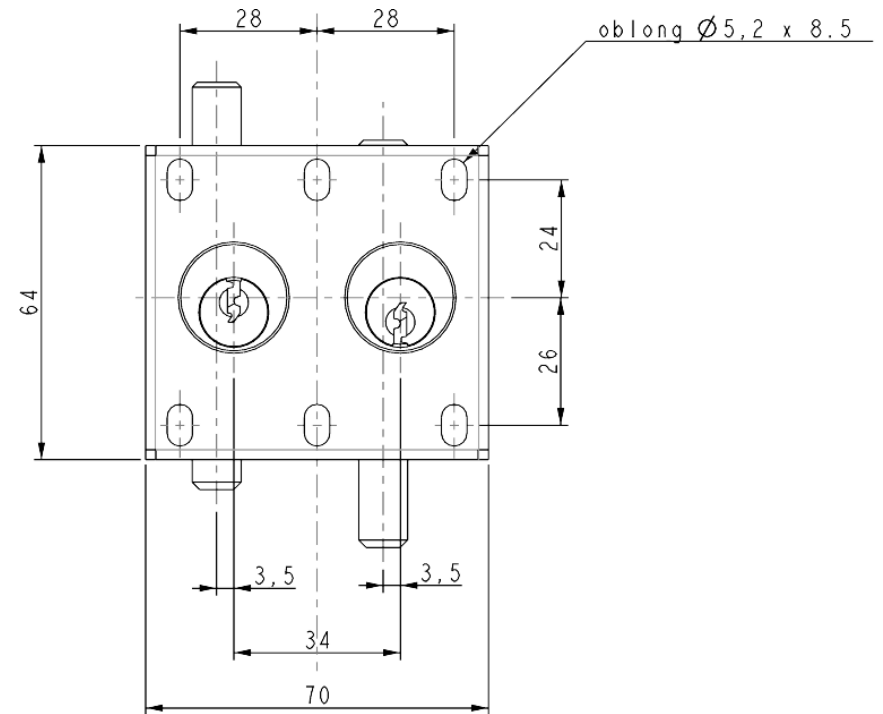
Turn key 2 180°.

Bolt 2 out : L=18mm. Key 2 released.

Bolt out : L=18mm. Key 1 released. Key 2 captive.

Bolt in : L=6mm. Key 1 captive. Key 2 released

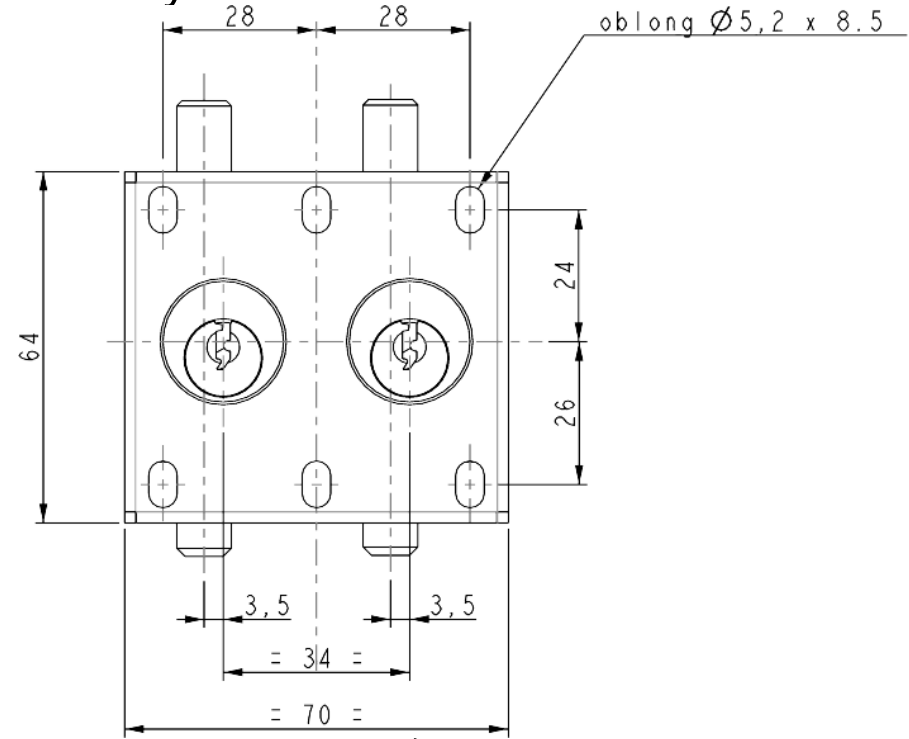
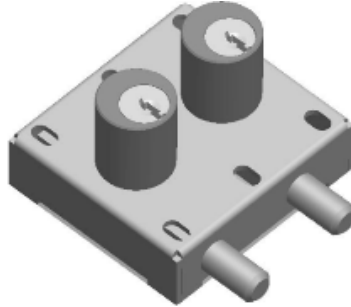
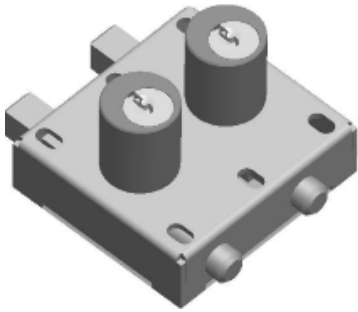
Option: Ref **8019782508** : Length bolt position out L : 35 mm



# EL 22 Lock

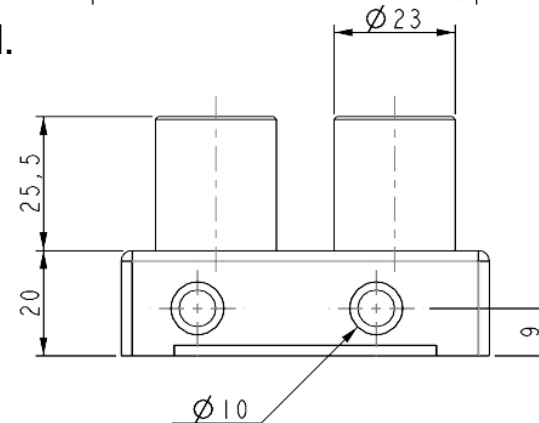
## EL22BP

Bolt lock with 2 bolts / 2 keys



EL 22 BP Ref **8019782509** 1/4 turn Right, Profile 2  
Bolts 1 and 2 out, L=18mm. Keys 1 and 2 released.

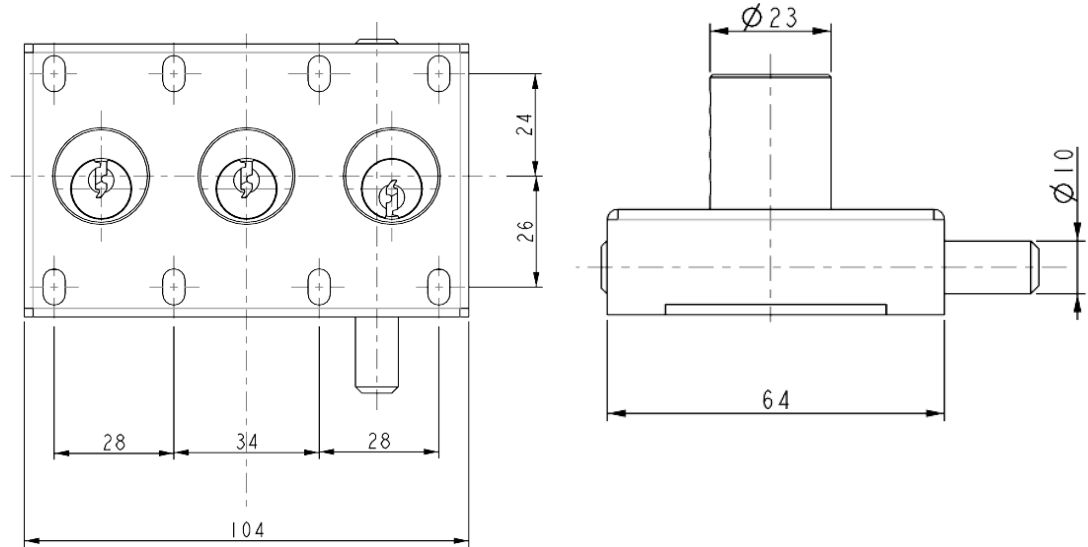
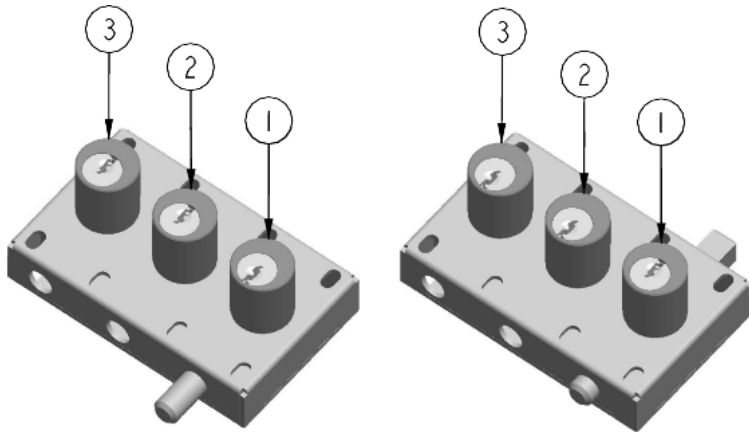
Option: Ref **8019782510** : Length bolt position out L : 35 mm



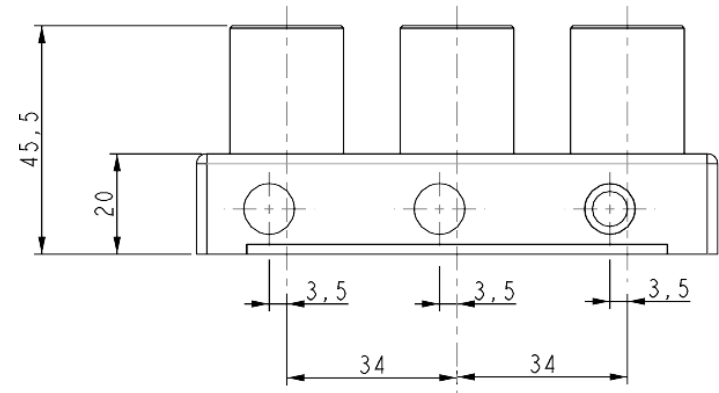
# EL 13 Lock

## EL13AP

Bolt lock with 1 bolt / 3 keys



EL13AP ref 8019782515, 1/4 turn Right, Profile 2  
 Bolt out : L=18mm. Key 1 released. Keys 2 et 3 captive.  
 Introduce Key 1, turn 180°  
 Bolt in: l=6mm. Key 1 captive.  
 Turn the key 2 180°. Key 2 released.  
 Turn the key 3 180°. Key 3 released.

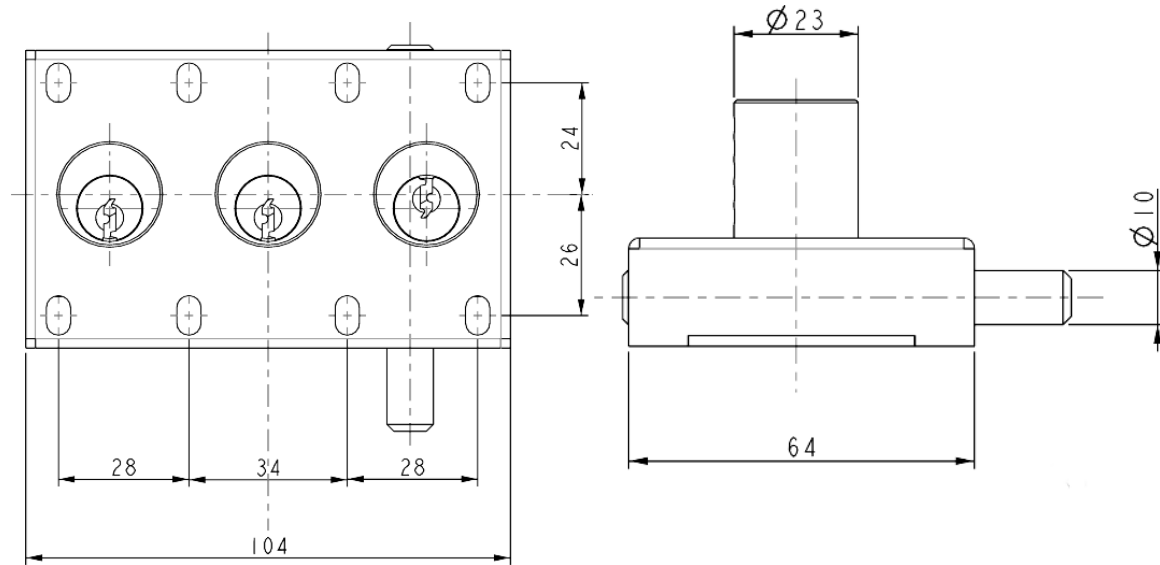
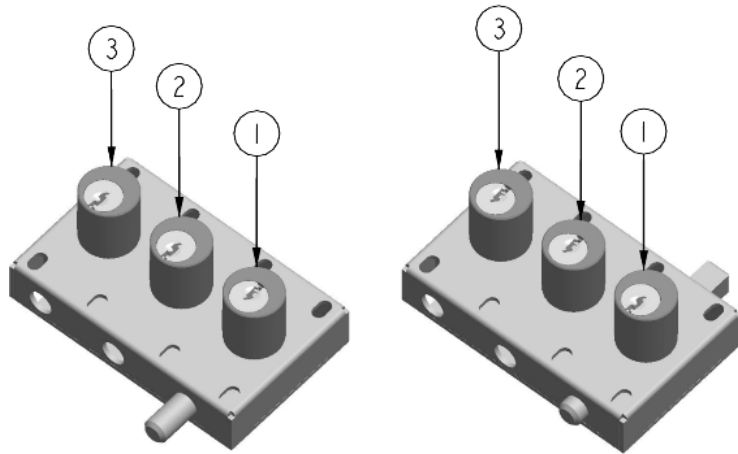


Option: Ref **8019782516** : Length bolt position out L : 35 mm

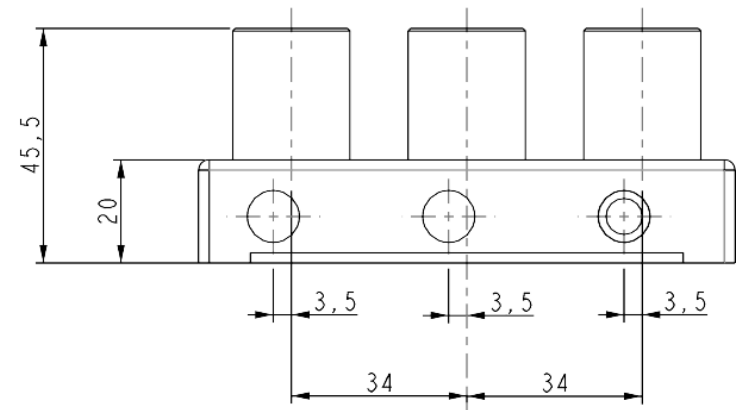
# EL 13 Lock

## EL13BP

Bolt lock with 1 bolt / 3 keys



EL13BP ref **8019782517**, ½ turn Right, Profile 2  
 Bolt out : L=18mm. Key 1 captive. Keys 2 and 3 released.  
 Introduce key 3, turn 180°.  
 Introduce key 2, turn 180°.  
 Turn key 1 180°.  
 Bolt in: L=6mm. Key 1 released. Keys 2 and 3 captives.

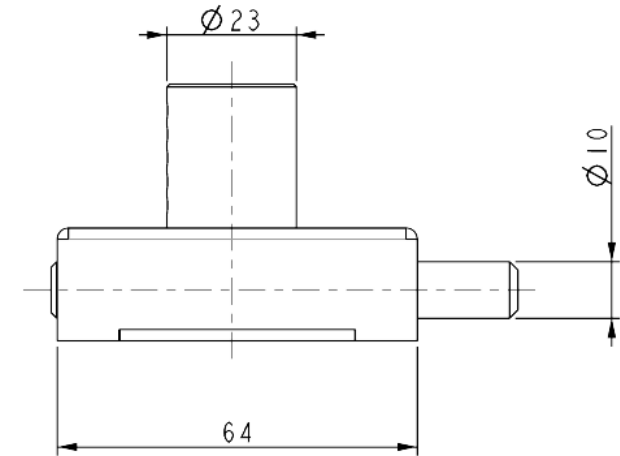
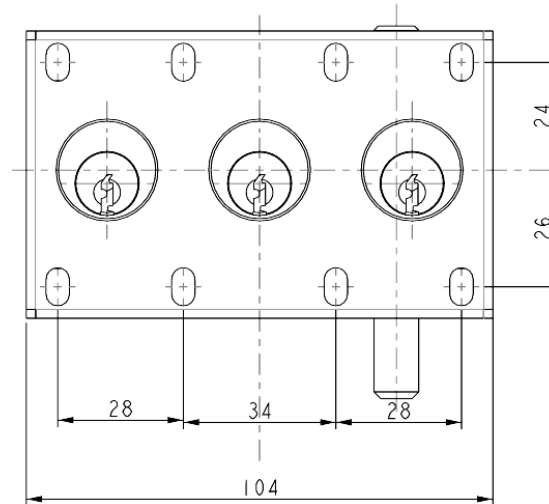
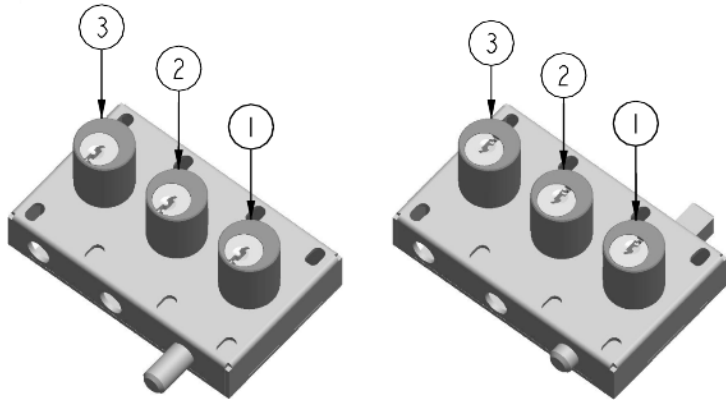


Option: Ref **8019782518**, Length bolt position out L : 35 mm

# EL 13 Lock

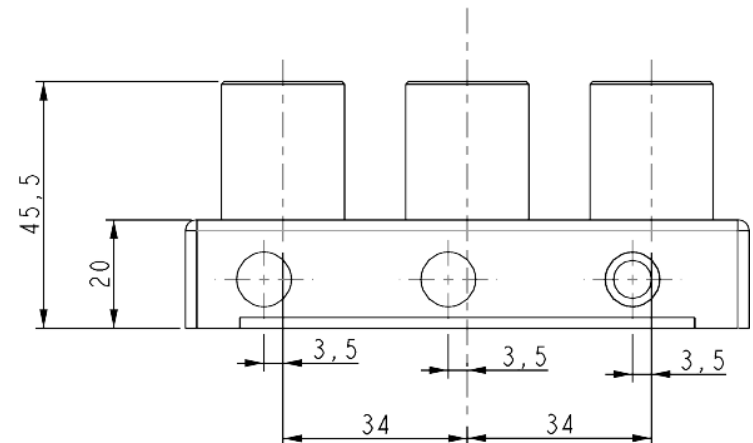
**EL13EP**




Bolt lock with 1 bolt / 3 keys

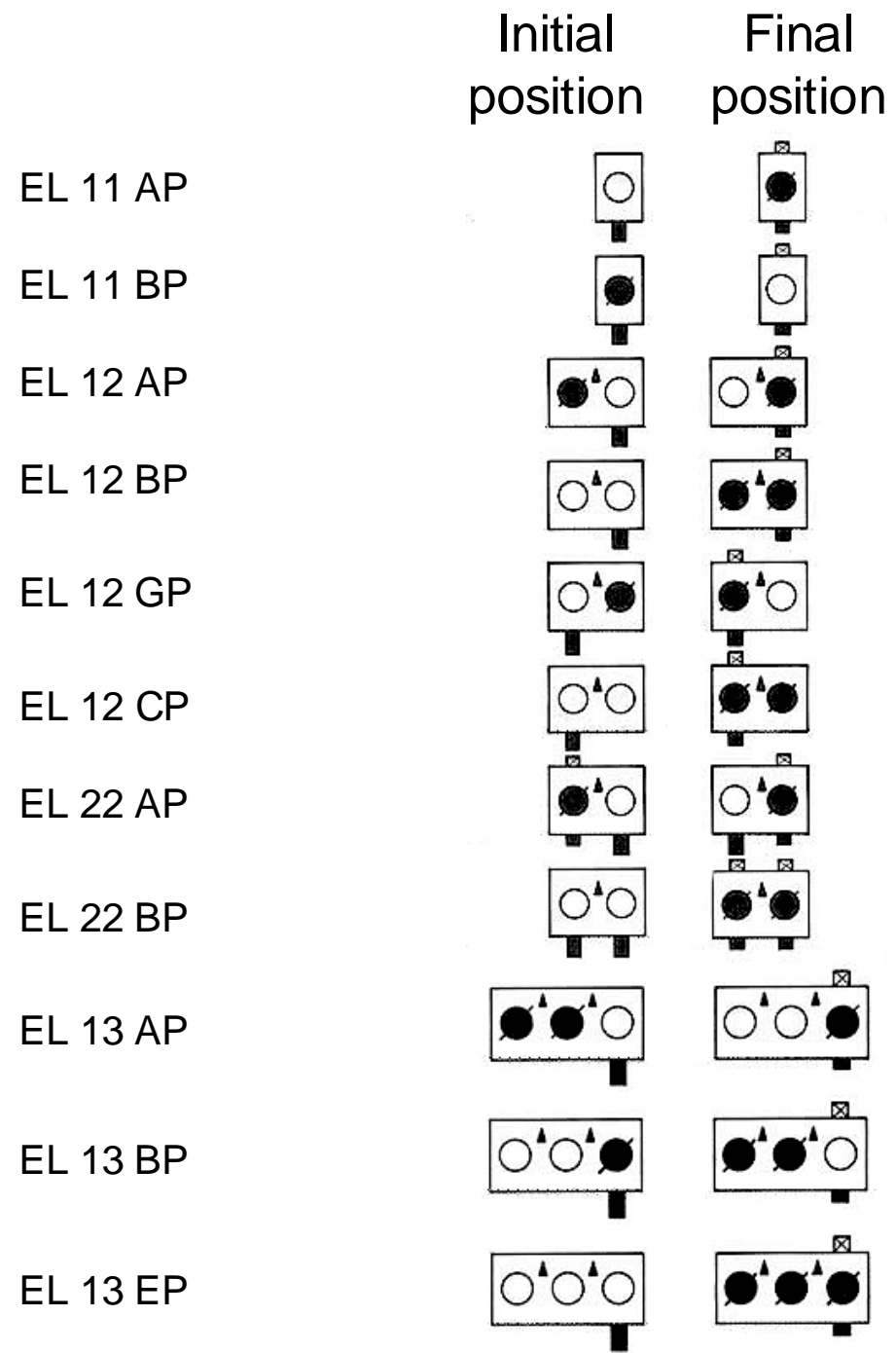


EL13EP ref **8019782519**, ½ turn Right, Profile 2  
 Bolt out : L=18mm. Keys 1, 2 and 3 released.  
 Bolt in : L=6mm. Keys 1, 2 et 3 captive.

Option: Ref **8019782520**, Length bolt position out L : 35 mm

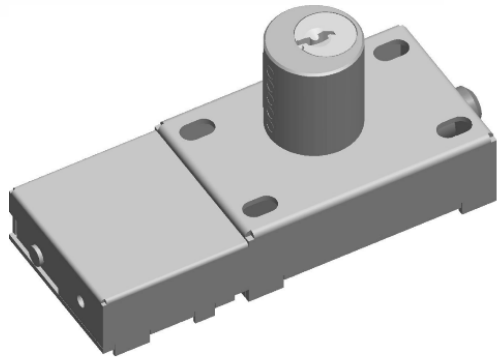


-  Key removed
-  Key released
-  Key captive

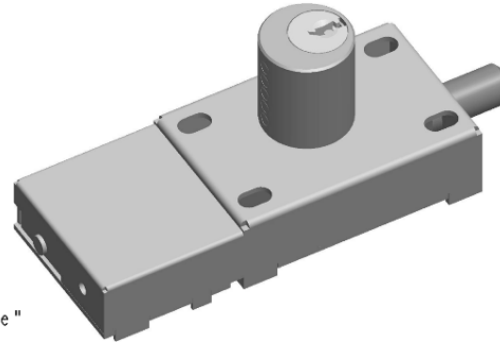


# ELN 11AP Lock

Bolt lock with 1 bolt / 1 key



OUVERT  
OPEN  
UP  
"clé pr"



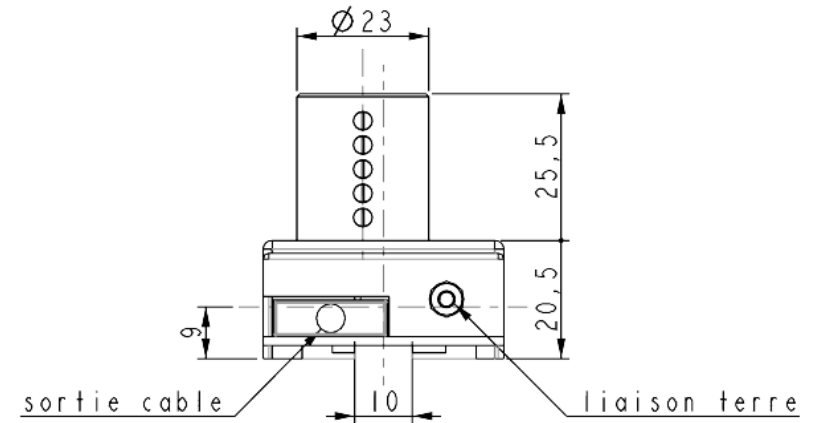
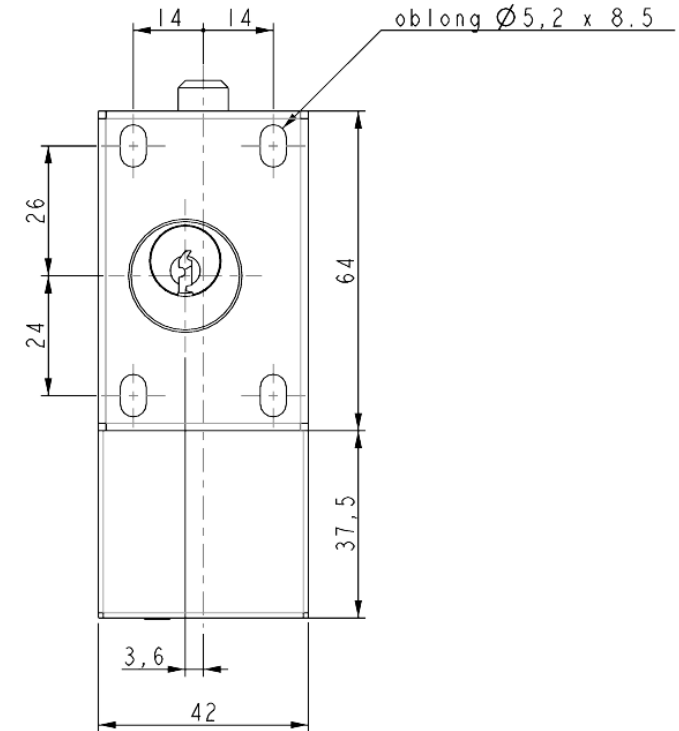
FERME  
CLOSED  
ZU  
"clé libre"

ELN11AP ref **8010492511** , ½ turn Right, Profile 2  
The lockbolt acts on a changeover switch.  
Bolt out, L=18mm Key released.  
Bolt in, L=6mm, Key captive.  
Change of the switch contacts.

The changeover switch




Rating at 230 V AC :  
\*Nominal : 5 amp.  
\*Thermal : 6 amp.

Option: Ref **8010492512**, Length bolt position out L : 35 mm



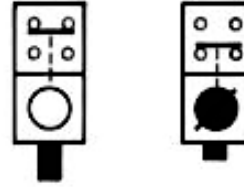


# ELN11 AP Lock

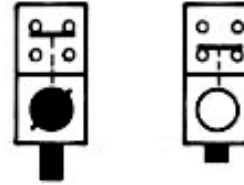
-  Key removed
-  Key released
-  Key captive

Initial position      Final position

ELN 11 AP



ELN 11 BP



# ELP 1 Door lock



Voltage transformer

EL 11 AP

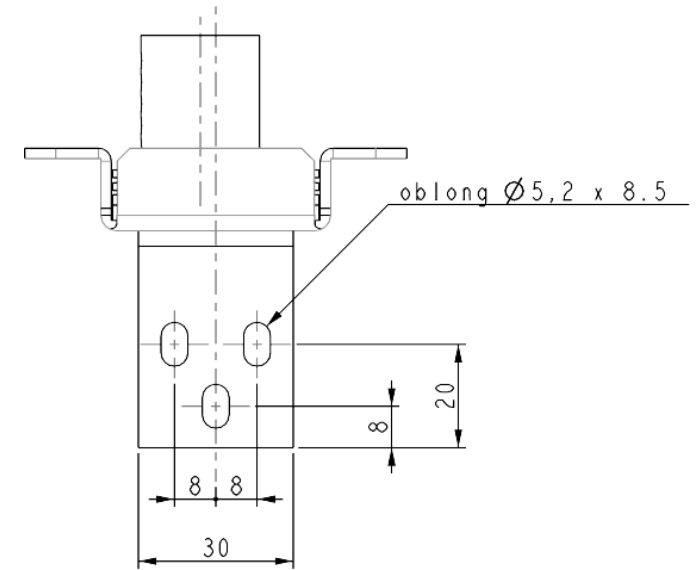
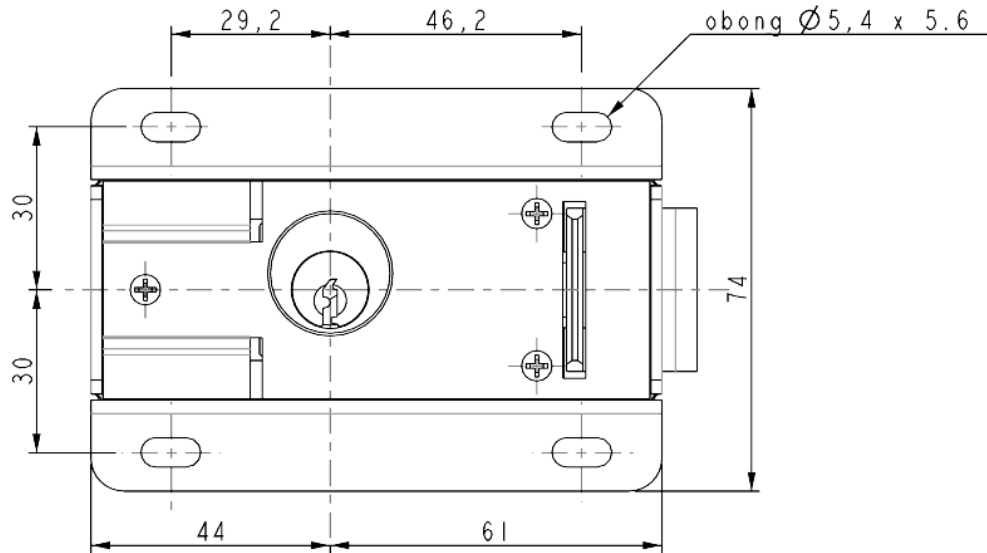


ELP 1 on access danger zone

- Key can be taken out only with striker plate locked in lock.
- Key released, door closed; key captive, door open.

# ELP Lock

## ELP 1

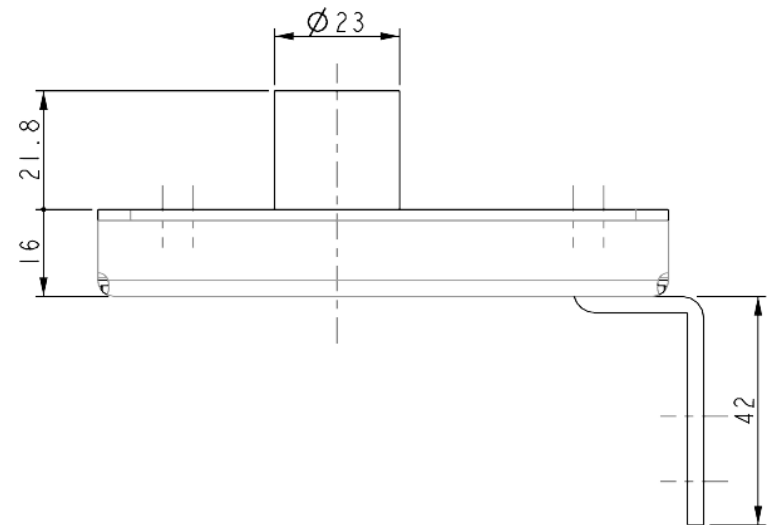


ELP 1 Ref **8010492801**, ½ turn Right, Profile 2  
 Key can be taken out only with striker plate locked in lock.  
 Key released, door closed.  
 Key captive, door open.

Options :

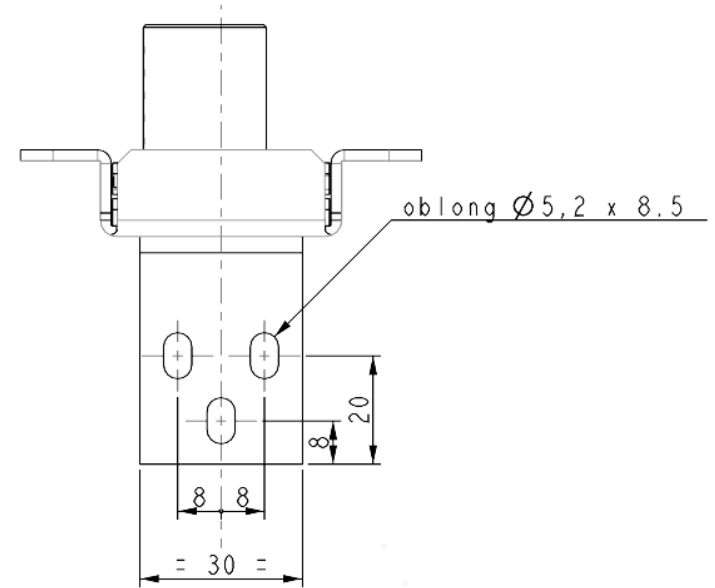
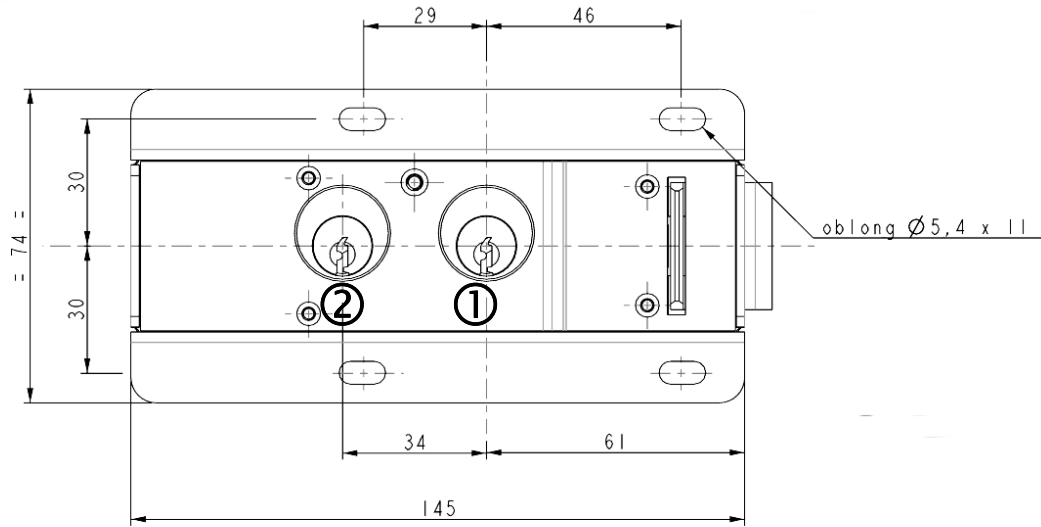
Special striker plates.

Key on request



# ELP Lock

## ELP 2



ELP2 ref **8019782501**, ½ turn Right, Profile 2

Door open, at least one key is captive.

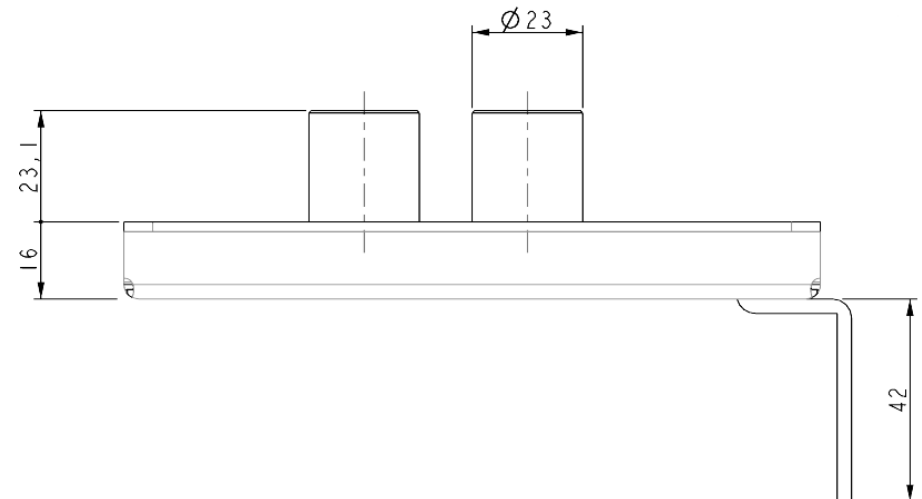
Door closed: introduced striker.

Keys 1 et 2 released.

Door open: Keys 1 and 2 captive.

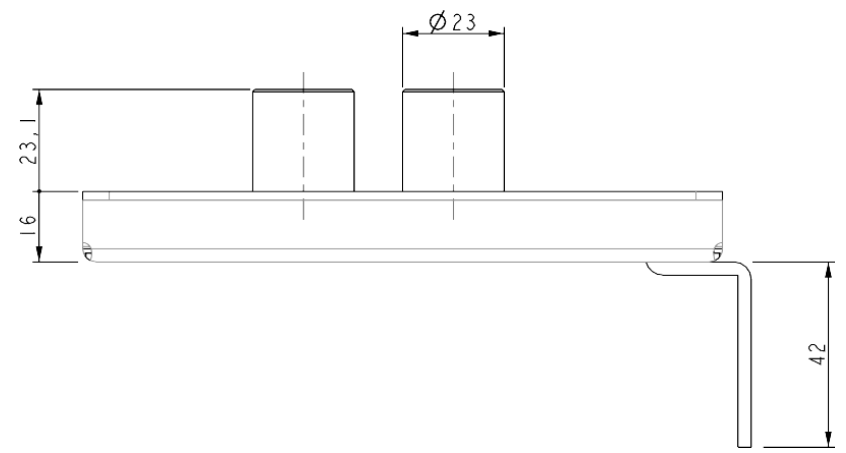
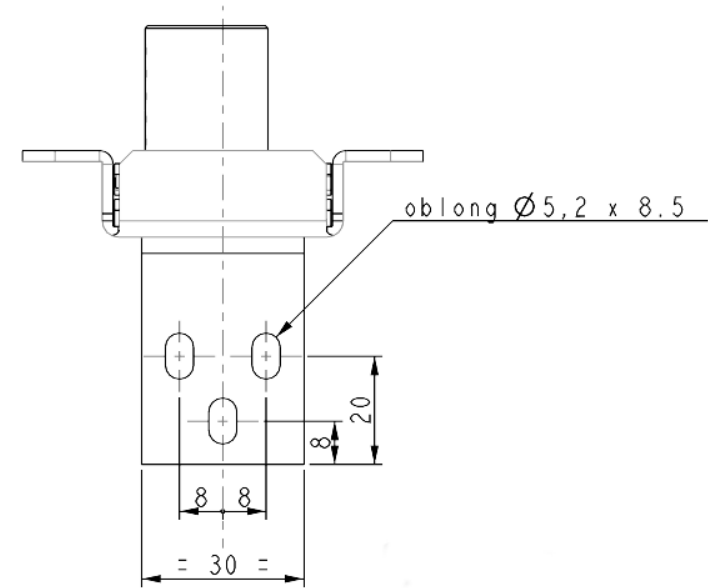
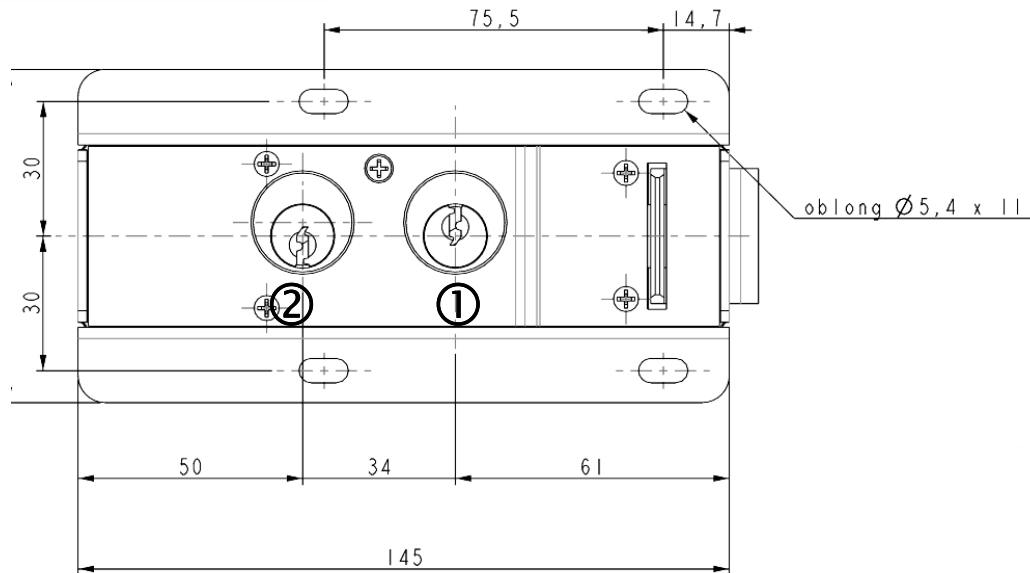
Options :

Special striker plates



# ELP Lock

## ELP 2SP



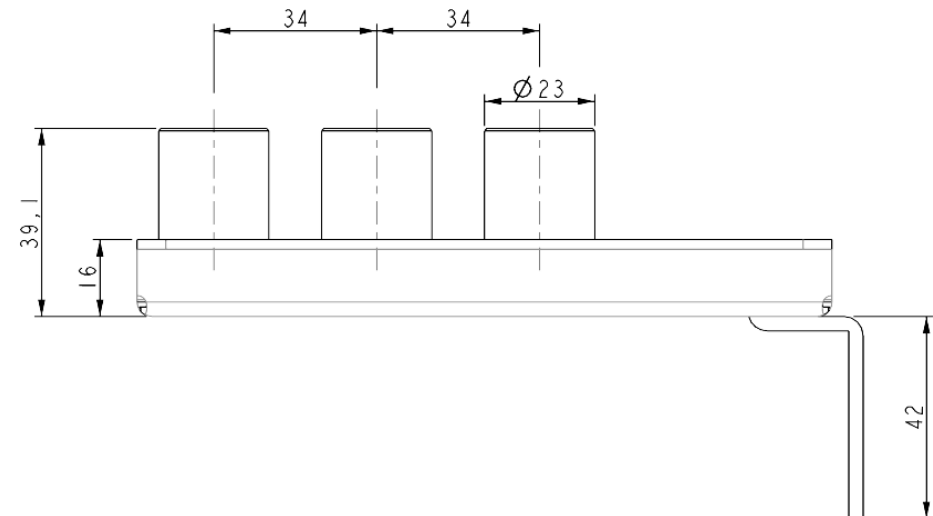
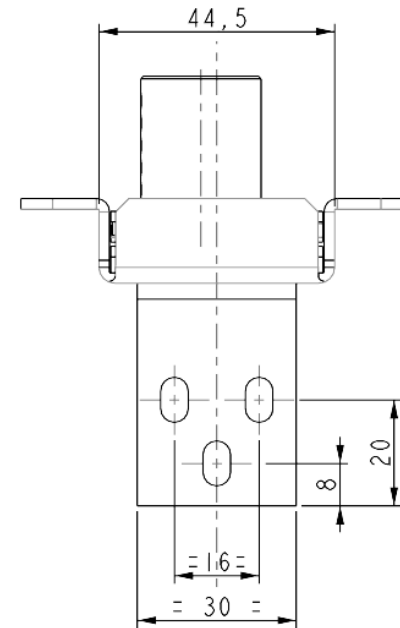
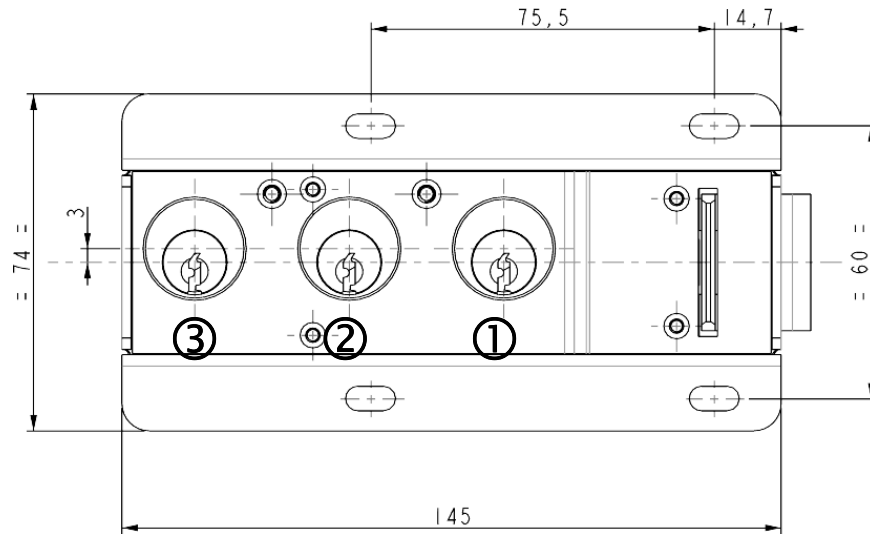
ELP 2SP ref **8019782502**, ½ turn Right, Profile 2  
 Door open, at least one key is captive.  
 Door closed: introduced striker.  
 Key 1 released, Key 2 captive.  
 Door open: Key 1 captive, Key 2 released

Options :

Special striker plates.

# ELP Lock

## ELP 3



ELP3 ref **8019782521**, ½ turn Right, Profile 2

Door open, at least one key is captive.

Door closed: introduced striker. Keys 1, 2 et 3 released.

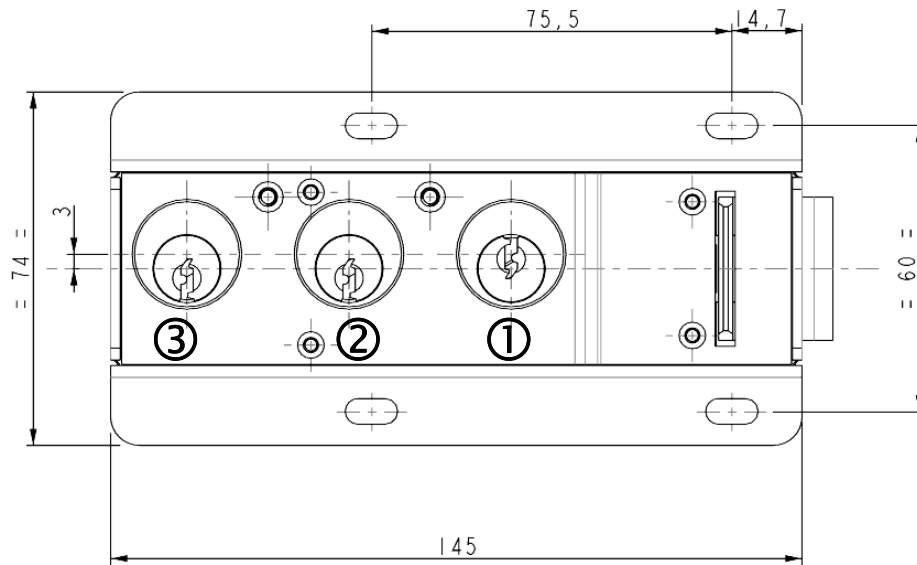
Door open: Keys 1, 2 et 3 captive

Options :

Special striker plates.

# ELP Lock

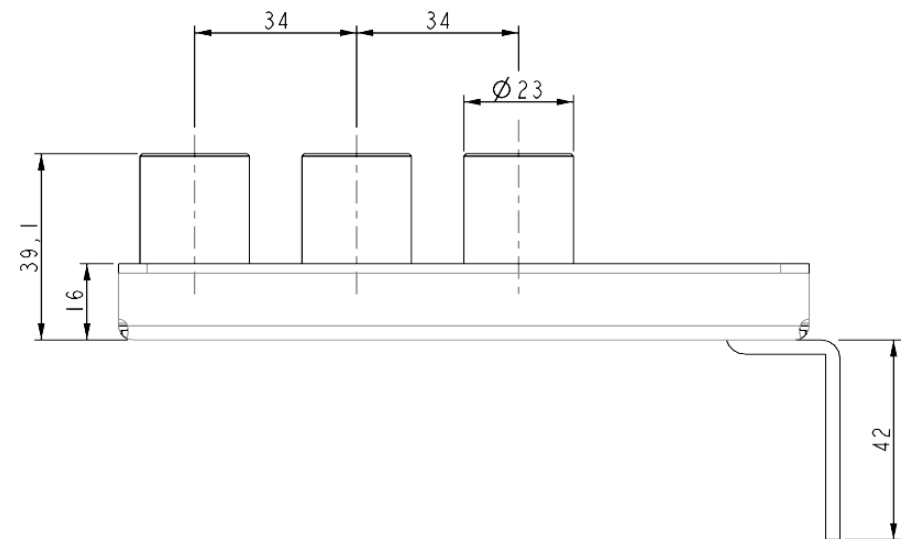
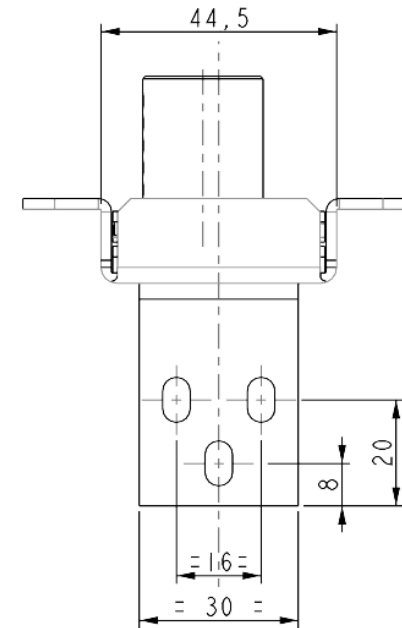
## ELP 3 SP






ELP 3SP ref **8019782522**, ½ turn Right, Profile 2  
 Door open : at least one key is captive.  
 Door closed: introduced striker.  
 Key 1 captive. Keys 2 and 3 released.  
 Door open: Key 1 released, keys 2 et 3 captives.  
 Keys 2 et 3 can be removed only when the striker is engaged in the lock.



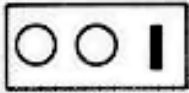
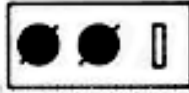


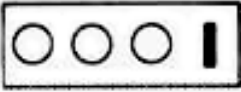

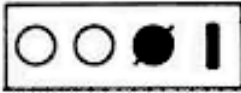

Options :

Special striker plates.



# ELP Lock

-  Key removed
-  Key released
-  Key captive

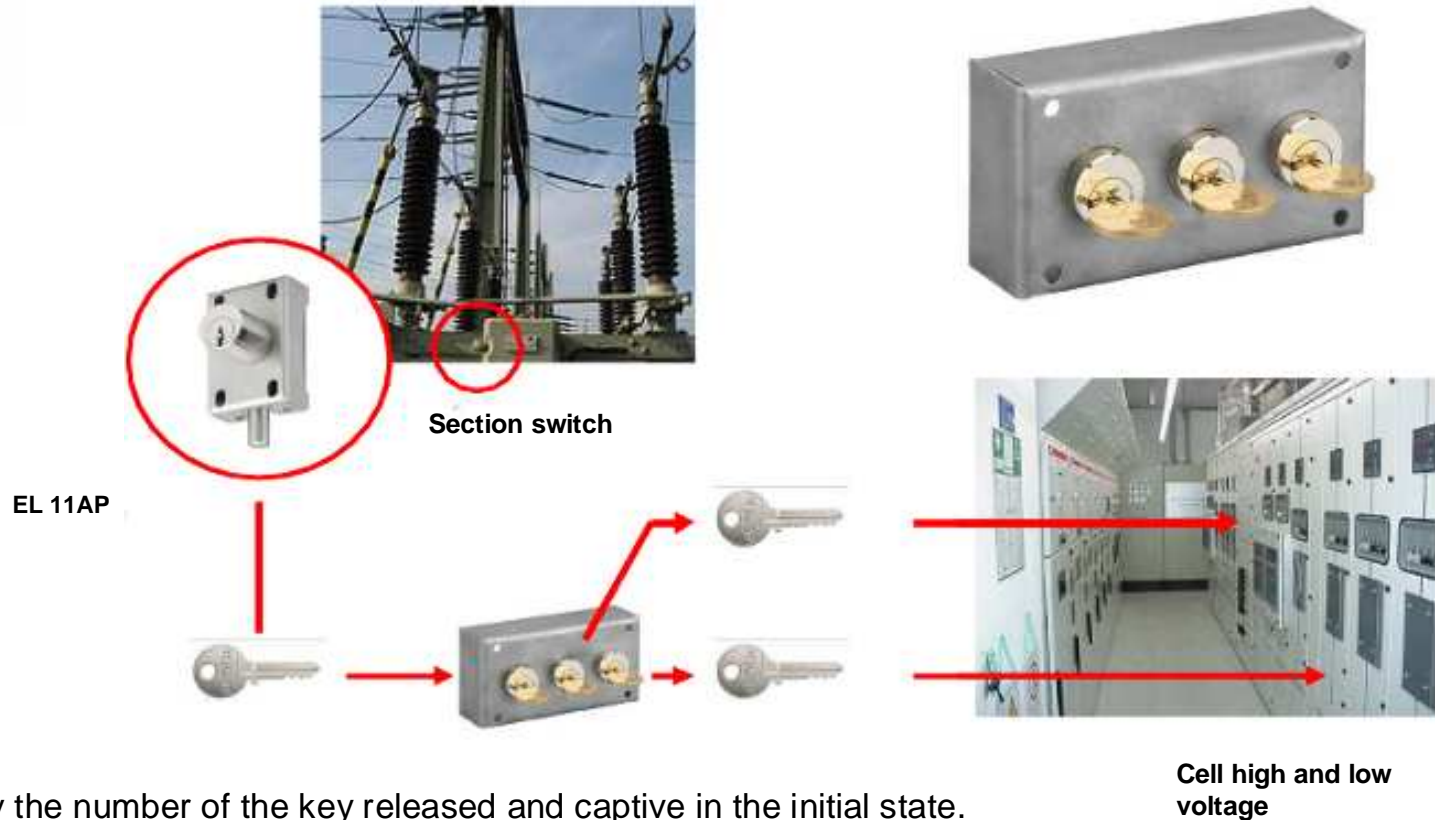
	Initial position	Final position
ELP 1		
ELP 2		
ELP 2 SP		
ELP 3		
ELP 3 SP		





**ELC Lock**

# ELC central lock



Central lock is defined by the number of the key released and captive in the initial state.

Example : ELC 12 → 1 key free, 2 keys captive

ELC 13 → 1 key free, 3 keys captive.

Lock relay between 2 levels of installation allowing the put-out of one or more keys after installation and trapping one or more keys. Do not lock an equipment directly.

Example: ELC 12

Insert and turn the key 1. Its become captives.

We can turn and release the key 2.

Then turn and release the key 3.

The start-up is done in the chronologically opposite order.

# ELC Lock

## Principle:

Lock for trapping some keys to release others.  
Central lock is defined by the number of the key released and captive in the initial state.

Examples in the initial position :

- ELC12, ref 8013511002 : 1 key released, 2 keys captives.
- ELC13 , ref 8013511003 : 1 key released, 3 keys captives.
- ELC22 , ref 8013511004 : 2 keys released, 2 keys captives.

## Specifications :

$L = 16 + (N \times 34)$ .

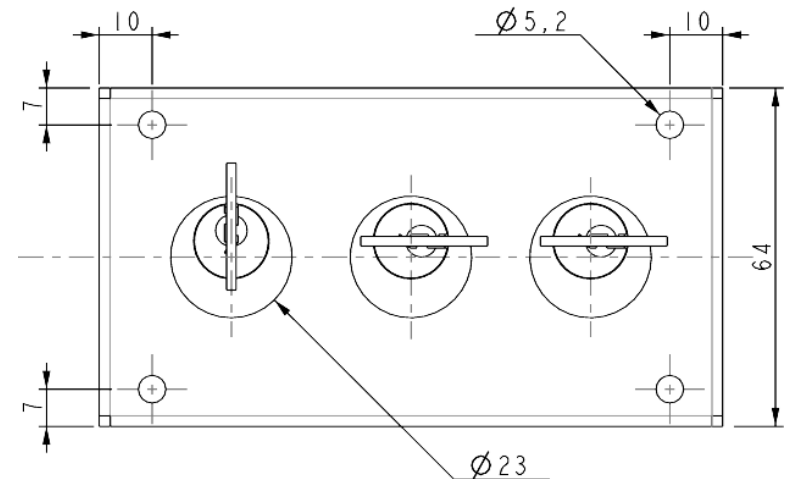
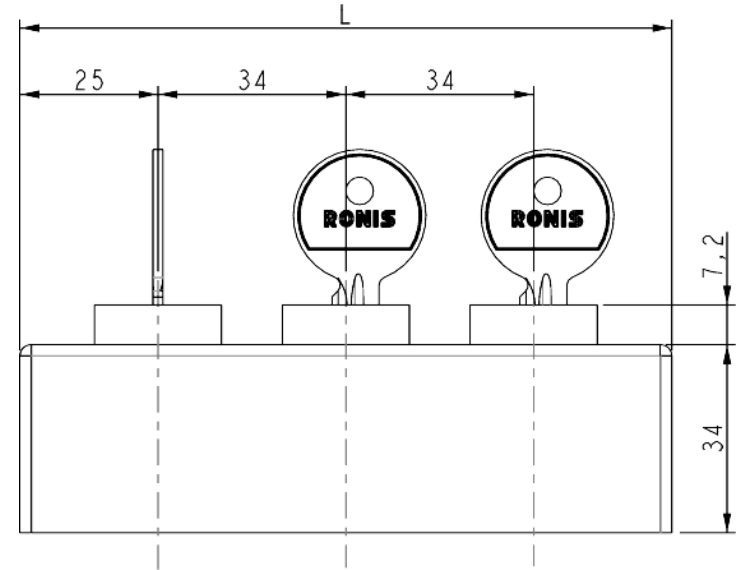
N = Number of keys.

Example : ELC12.

Insert and turn the key 1. It becomes captive.




We can then turn and release the key 2.

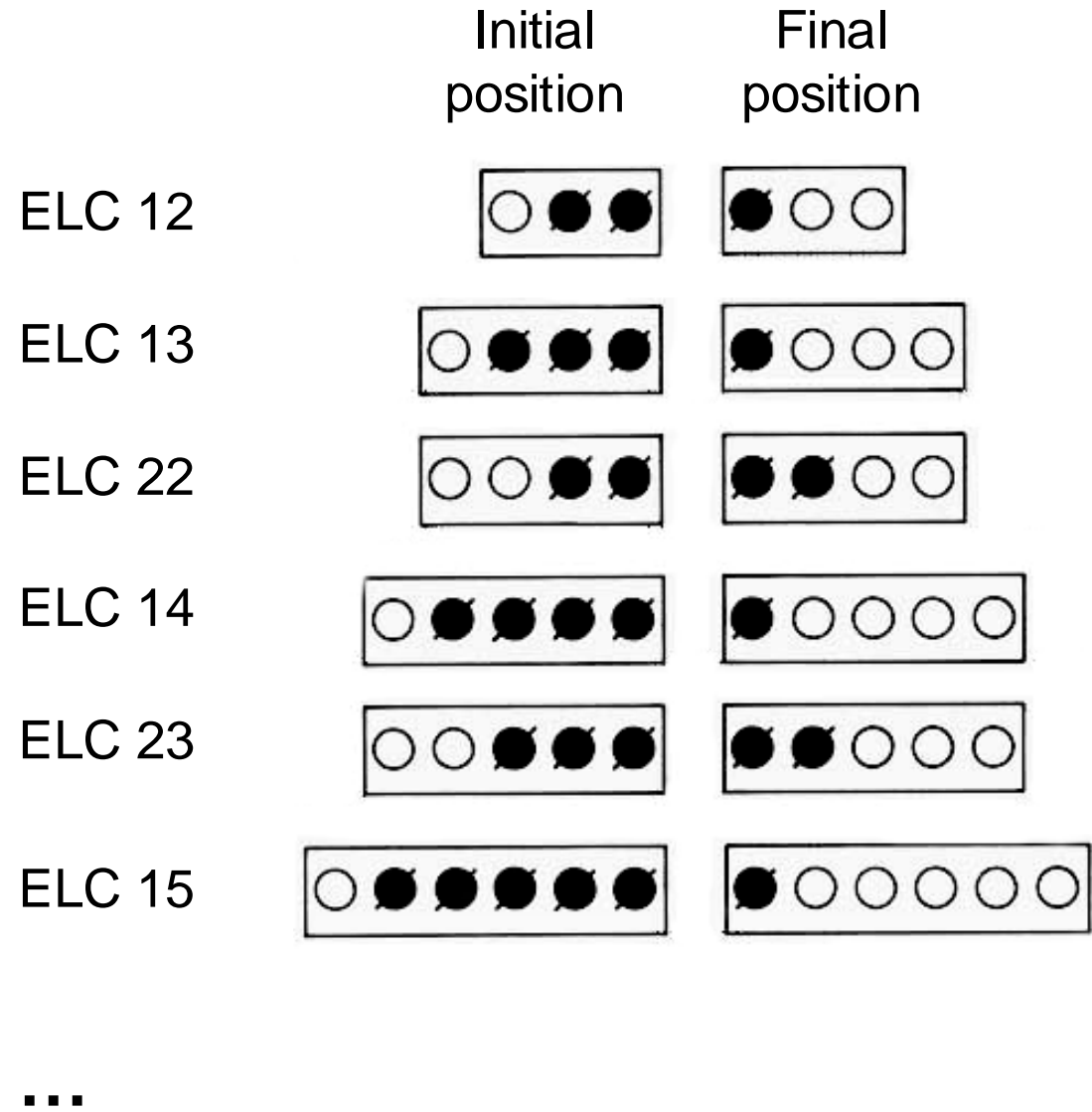
Then, turn the key and release the key 3.



Delivred with a key

# ELC lock

-  Key removed
-  Key released
-  Key captive





**Cam Lock**

# Cam locks

## 1104

### Specifications :

- Key rotation = rotation of cam :
- 1/4 turn right or left.
- Fixing by nut, support thickness of 0,8 to 10 mm.
- Various cam arrangements are possible
- Cam type 1104

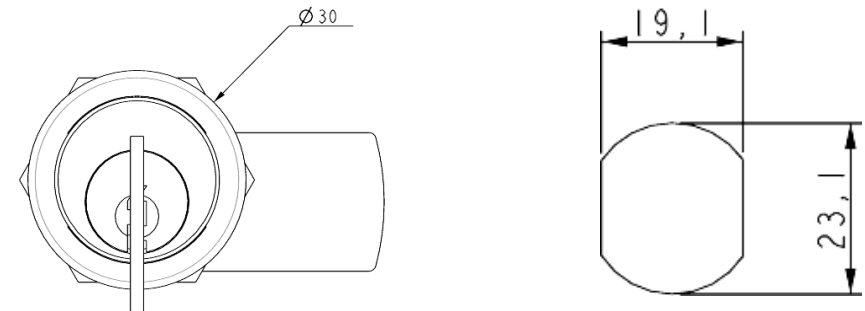
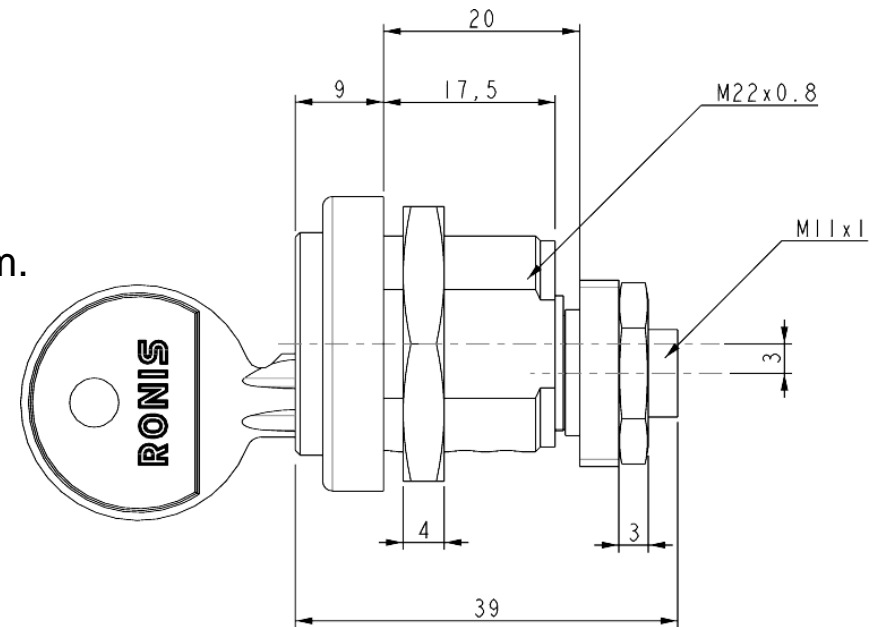
### Possibilities:

- Key Rotation :
- right : B.
- left : A.

Example : 1104A.

### Options :

- Rotation 1/2 turn.
- 1104.30 : Cam type 911/ 1729



# Cam locks

1351

Possibilités :

Sens de rotation de la clé :

- rotation à droite = B.
- rotation à gauche = A.

Exemple : 1351A.

Specifications:

Key rotation = rotation of came :  
1/4 turn right or left.

Fixing by nut, support thickness of 0,8 to 10 mm.

Various cam arrangements are possible

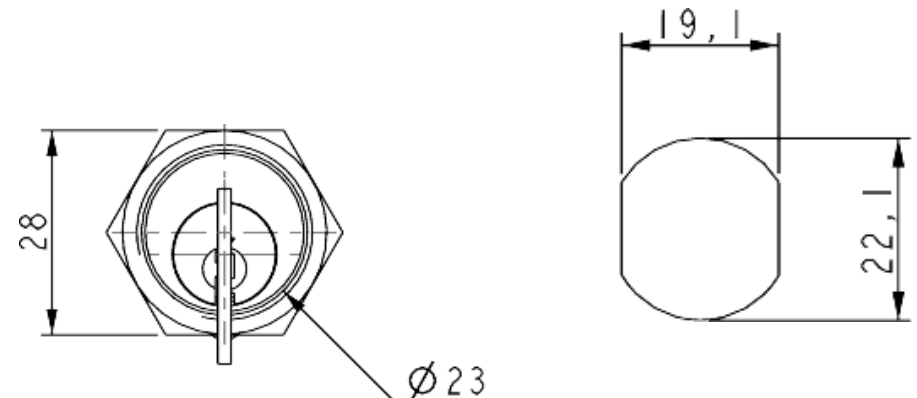
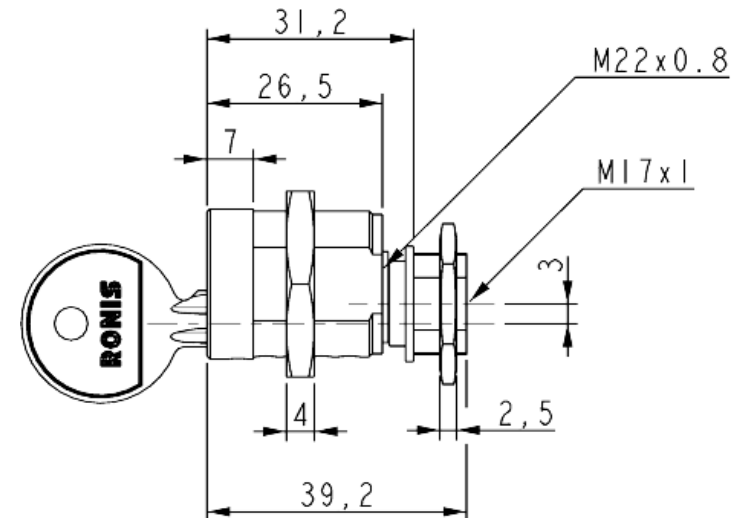
Cam type 911 / 1729

Possibilities :

Key Rotation :

- right : B.
- left : A.

Example : 1351A.



# Cam locks

## 1083 B2

### Specifications:

- Key Rotation= rotation of cam
- 1/4 turn right or left operating changeover switch.
- Key captive: change of the switch contacts.
- Fixing by nut, thickness support of 1 to 2 mm.

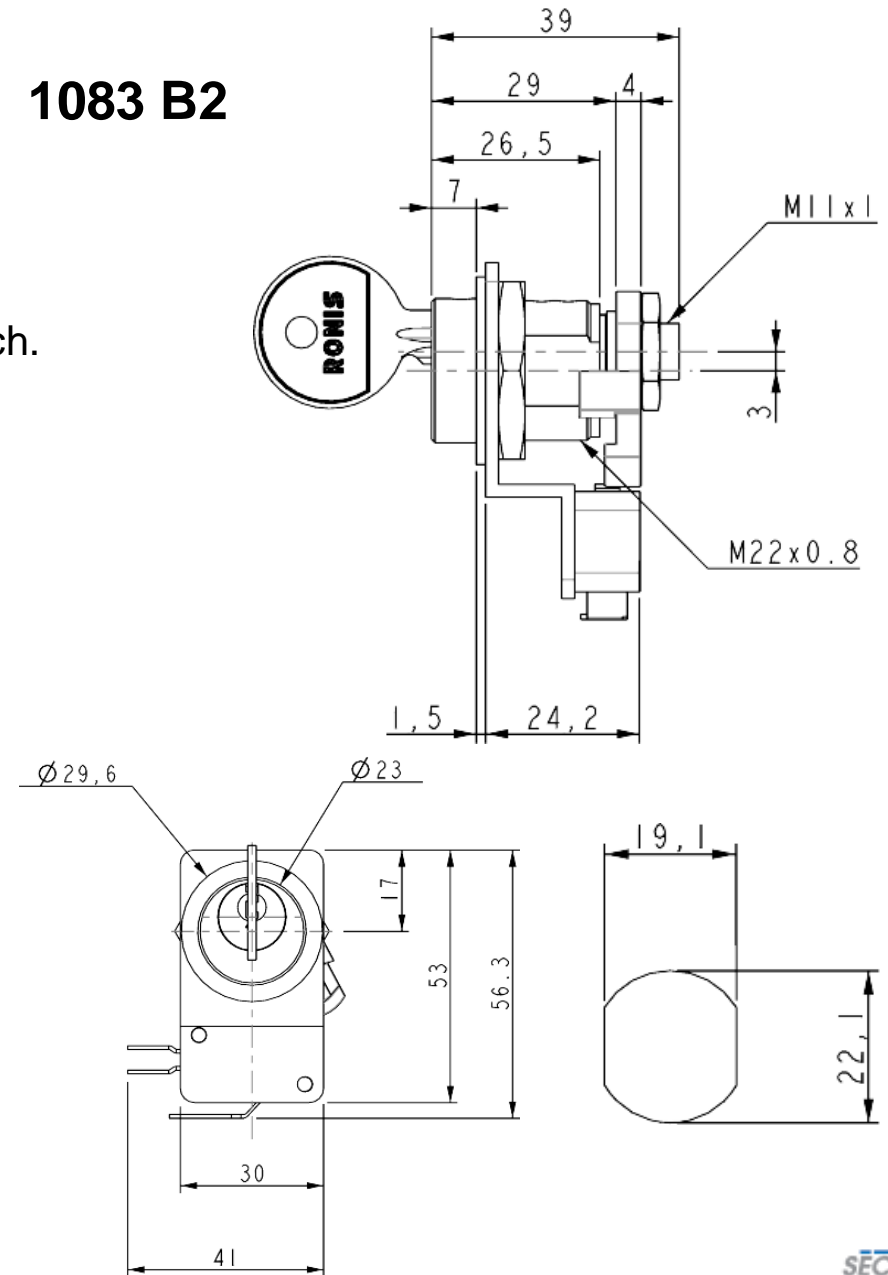
### Electrical specifications :

- Changeover switch
- Rating at 250 V AC :
  - \*Nominal : 5 amp.
  - \*Thermal : 17,5 amp.

### Options:

Other electrical functions are available using different changeover switch configurations.

- Examples : 1083B216 = 1 switch.
- 1083B218 = 2 switches.





# RONIS key

Specification :  
Brass key.

Options :  
Customer marking : maximum 8 characters

## Profile / Marking

P2 => EL ...

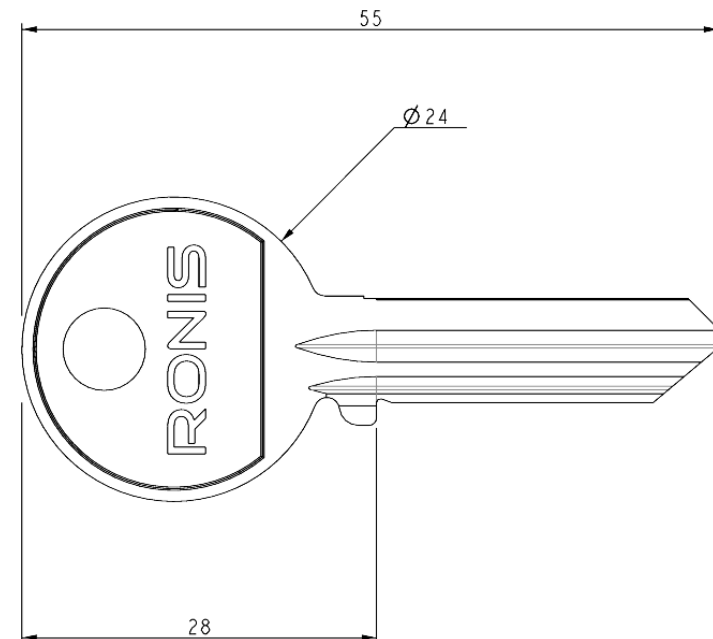
P201 => EM ...

P5 => (.)EL...

P301 => ET...

P501 => EP...

P601 => EV...





# RONIS

## Your partner



**ISS Safety Ltd**  
**Devonshire House**  
**582 Honeypot Lane**  
**Stanmore**  
**Middlesex**  
**HA7 1JS**

**Tel: +44 (0) 20 8732 5505**

**Fax: +44 (0) 20 8732 5510**

**Web Site: <http://www.iss-safety.co.uk>**

**E-Mail: [sales@iss-safety.co.uk](mailto:sales@iss-safety.co.uk)**